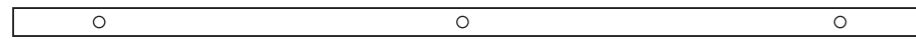
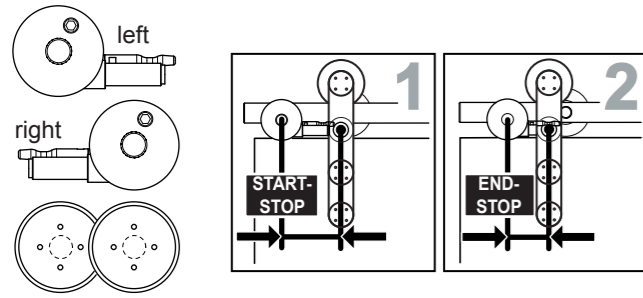


1 Set sliding door fittings Flatec I

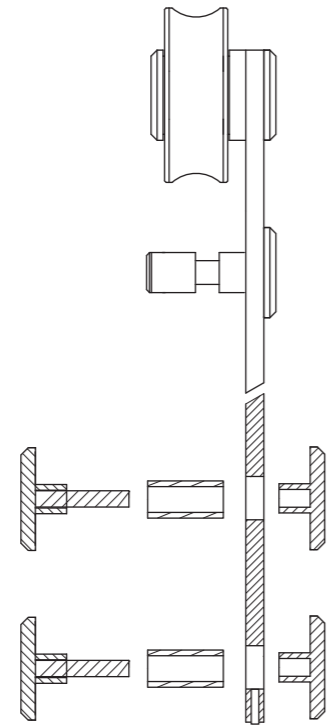
2 Guide rail



3 Door stoppers Soft-Tec

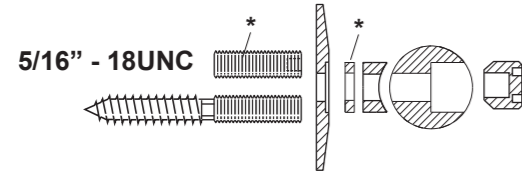


4 Trolley complete



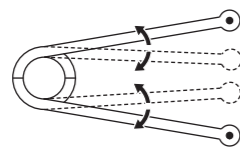
5 Wall fixtures

(without screws and dowels, at construction site)



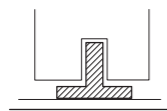
* not included in scope of delivery

6 Special tool



7 Bottom guide

(without screws and dowels, at construction site)



- Attention
- Screw on
- Screw on
- Screw on
- Loosen/Tighten
- Install
- At right angle
- Drill
- Dowels
- Adjust Set
- Level
- Perpendicular
- Measure Mark
- Visual inspection
- Special-tool
- 2 people required
- Measure
- Clarify questions
- See Instructions
- Secure

Comply with all general safety regulations when installing the sliding door fittings!

Installation to be completed by qualified licensed contractor.

Be sure to tighten all screw connections one week after starting to use the sliding door fittings!

Never use scouring agents to clean the sliding door fittings; rather use commercially available stainless-steel cleaners!

Set Flatec I	Set / Each					
1 Art.-No.	2	3	4	5	6	7
USU45DS-1800EF	1	2	2	3	1	1
USU45DS-2100EF	1	2	2	4	1	1
USU45DS-2300EF	1	2	2	4	1	1
USU45DS-2540EF	1	2	2	4	1	1

Beyerle US L.L.C., ABP-Beyerle, it's subsidiaries and agents are not responsible or liable for damage or injury to any persons or property due to improper installation of it's products. All liabilities reside solely with the installer.

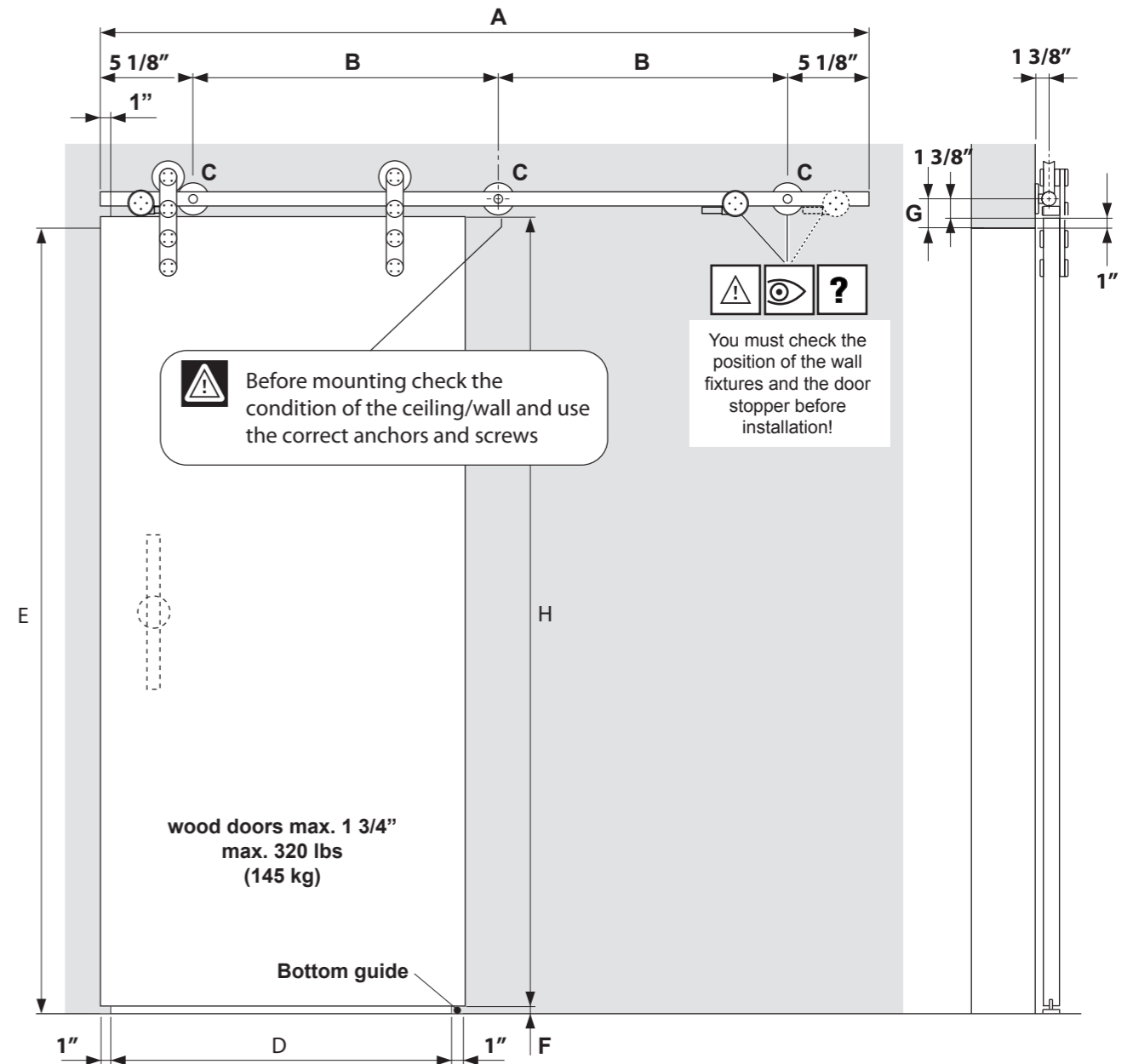


Beyerle US L.L.C.
5126 South Royal Atlanta Drive, Tucker, GA 30084, USA
Phone (770) 349 - 6324, Fax (770) 934 - 3384, mail: info@beyerle-us.com, www.beyerle-us.com

Installation instructions

Sliding door fittings Flatec I

for wood doors (max. 1 3/4") with Soft-Tec Stopper



Complete-Set's

Set-Nr.	A Inch	B Inch	C each	D Inch	E max.Inch	F Inch	G Inch	H max. Inch (H=E - F + 1")
USU45DS-1800EF	70 7/8"	30 3/16"	3	29 1/2" - 35 7/16"	98 7/16"	1/4" - 3/8"	2 3/8"	99 1/8"
USU45DS-2100EF	82 11/16"	24 1/8"	4	35 13/16" - 39 3/8"	98 7/16"	1/4" - 3/8"	2 3/8"	99 1/8"
USU45DS-2300EF	90 9/16"	26 3/4"	4	39 3/4" - 44 1/16"	98 7/16"	1/4" - 3/8"	2 3/8"	99 1/8"
USU45DS-2540EF	100"	29 15/16"	4	44 1/2" - 49 3/16"	98 7/16"	1/4" - 3/8"	2 3/8"	99 1/8"

Right to make technical changes reserved - Dimensions in inch - Version 10.2015
© by ABP-Beyerle GmbH



65 30 00.0146_Flatec I_wood_DS-102015jb

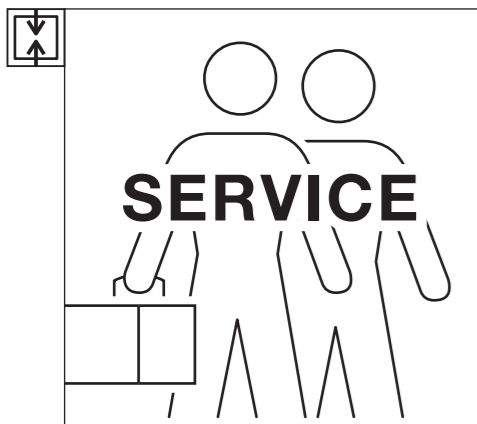


Abb. 1

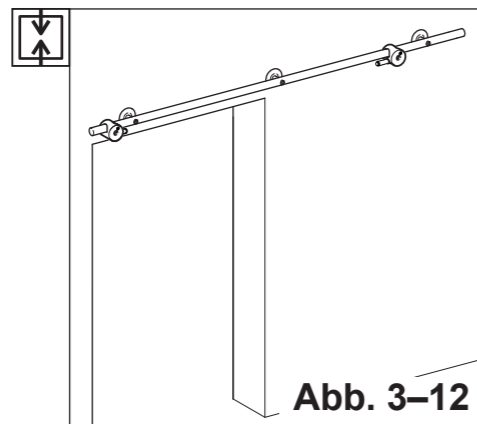


Abb. 2

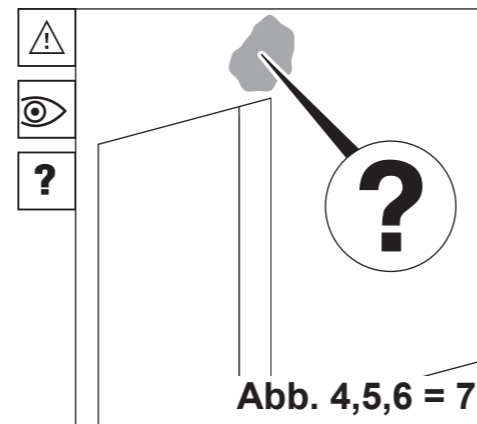


Abb. 3

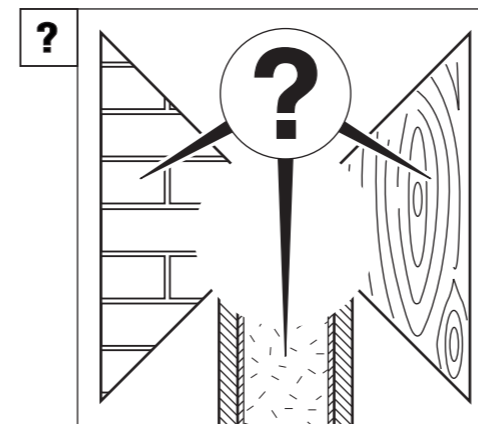


Abb. 4

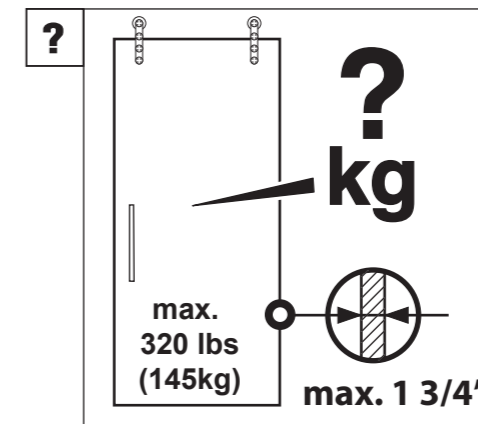


Abb. 5

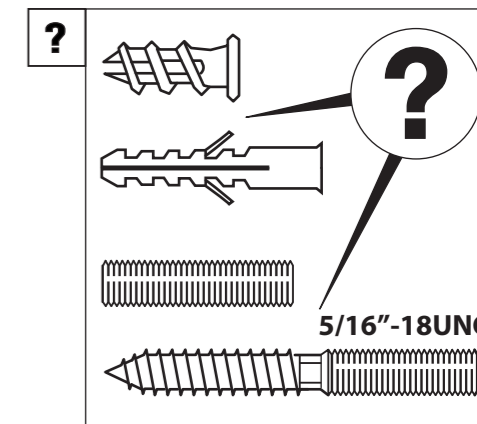


Abb. 6

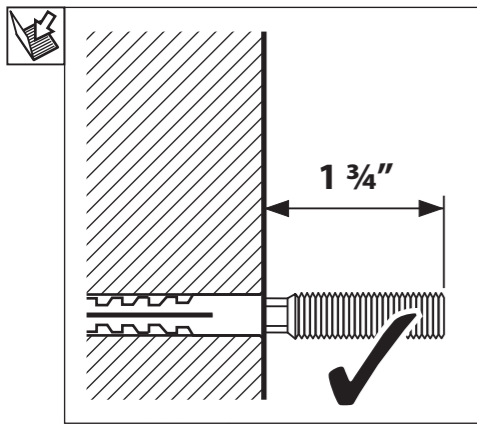


Abb. 7

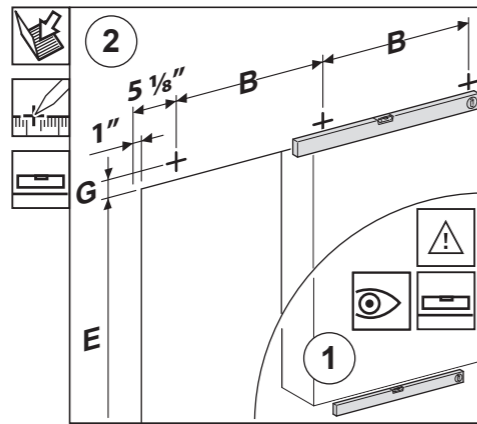


Abb. 8

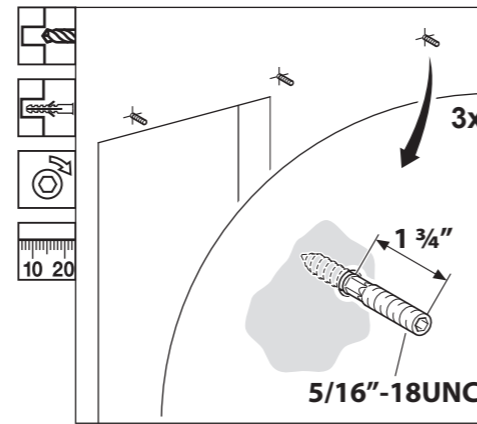


Abb. 9

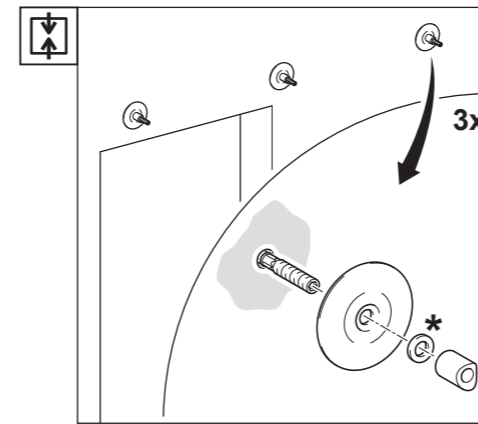


Abb. 10

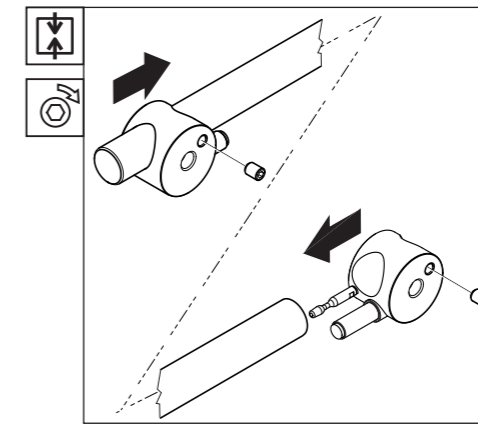


Abb. 11

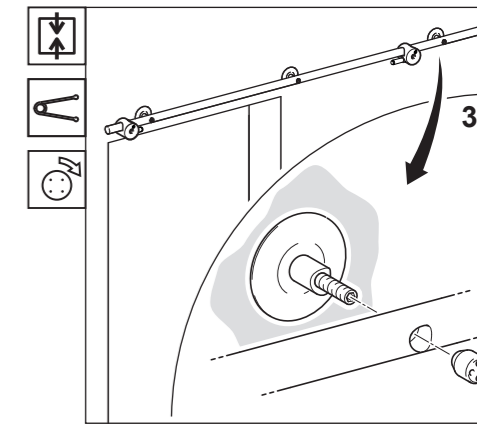


Abb. 12

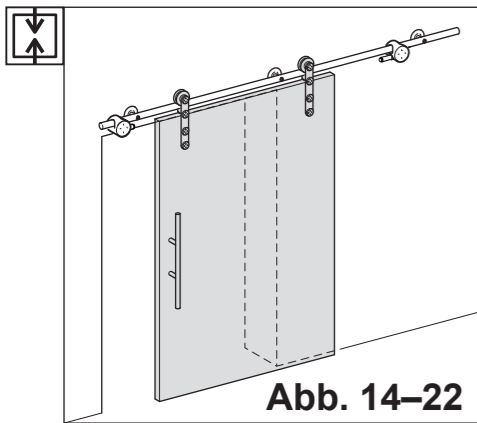


Abb. 13

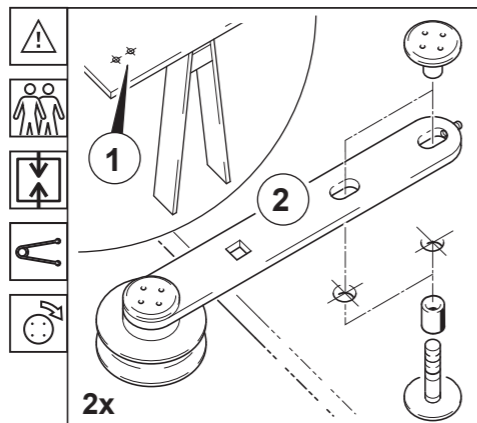


Abb. 14

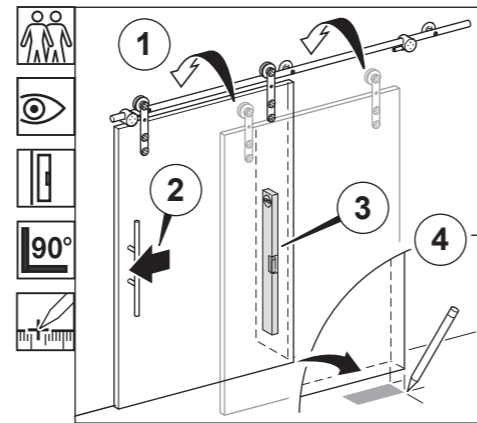


Abb. 15

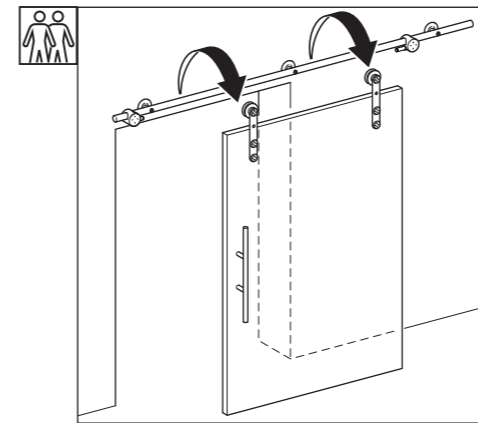


Abb. 16

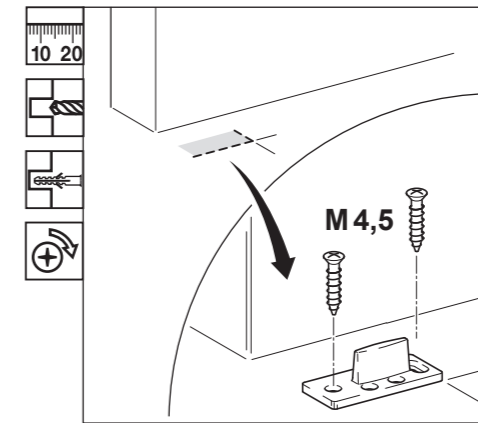


Abb. 17

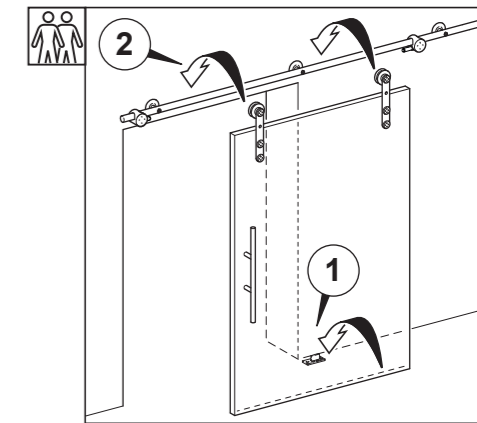


Abb. 18

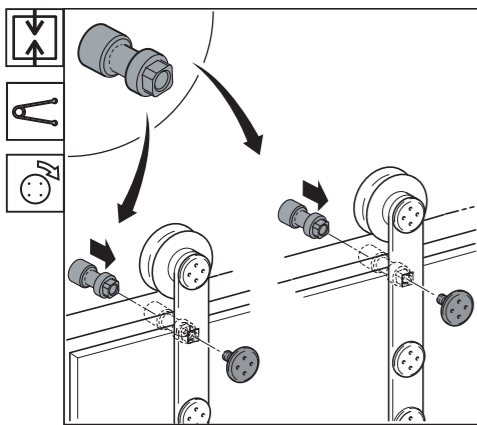


Abb. 19

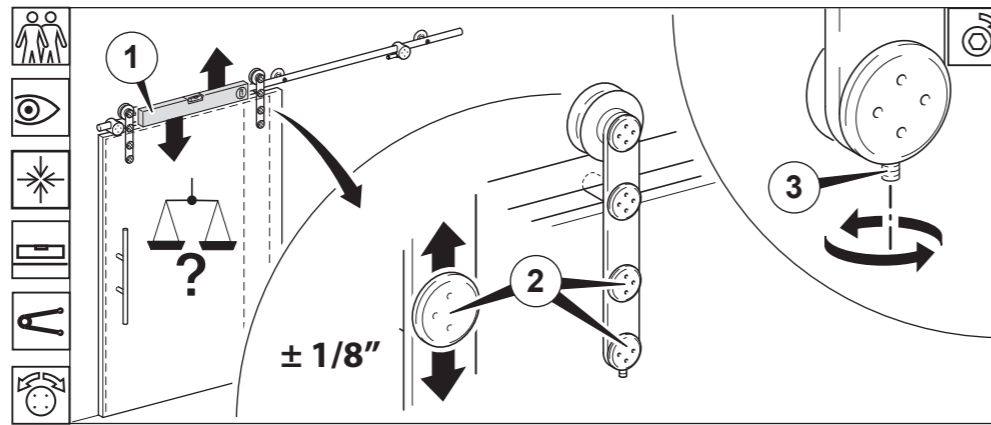


Abb. 20

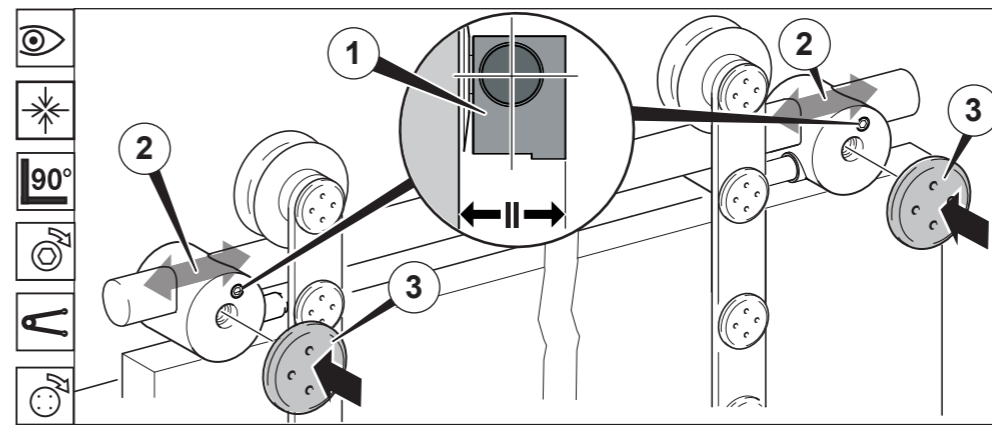


Abb. 21

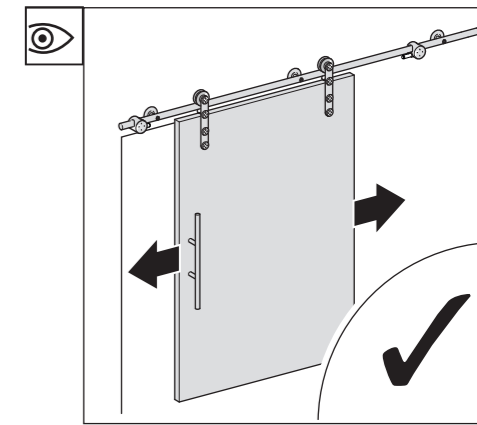


Abb. 22